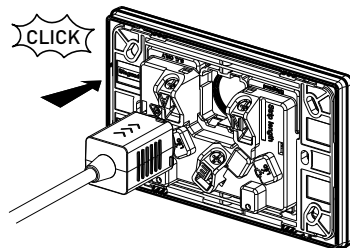


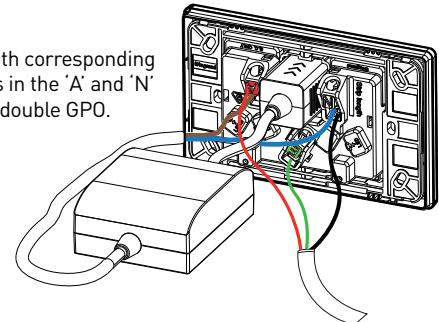
Range	Excel Life		Arteor	
Cat No	EMUSB2PSAWE EMUSB2PSAUG	EMUSB2PSXWE EMUSB2PSXUG	AR770USB2PSAMWE AR770USB2PSAMMG	AR770USB2PSXMWE AR770USB2PSXMMG
In-line connector	No	Yes	No	Yes
Picture				
Installation	In dry wall and wall cavities	With wall box	In dry wall and wall cavities	With wall box
Output	5V d.c. 4.8A			
Input	230-240V a.c. 50Hz			
Mains connections	Via 'A' and 'N' wires			
Standby power consumption	<0.05W			
Overload protection on output	5.1A ± 0.2A			

USB charging unit installation in the powerpoint for EMUSB2PSAWE/UG, AR770USB2PSAMWE /MG

- 1 Push USB outlet into extra function hole with arrows facing up as shown



- 2 Join wires with corresponding mains cables in the 'A' and 'N' terminals of double GPO.

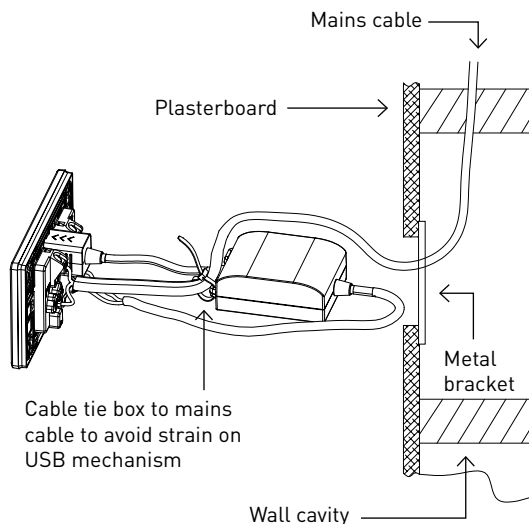


Excel Life USB Charger to be used in conjunction with Excel Life devices.
Arteor USB Charger to be used in conjunction with Arteor devices.

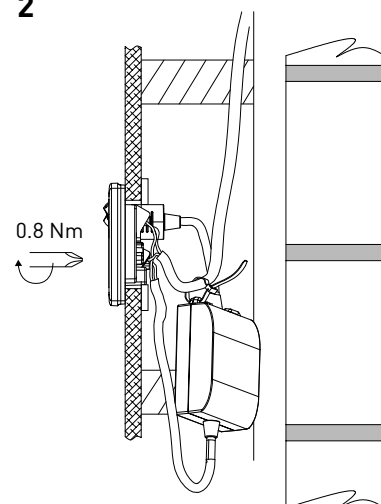
USB charger can be assembled with any extra function hole available on powerpoints or switch plates.

Assembly in dry wall and wall cavities for EMUSB2PSAWE/UG, AR770USB2PSAMWE/MG

- 1



- 2

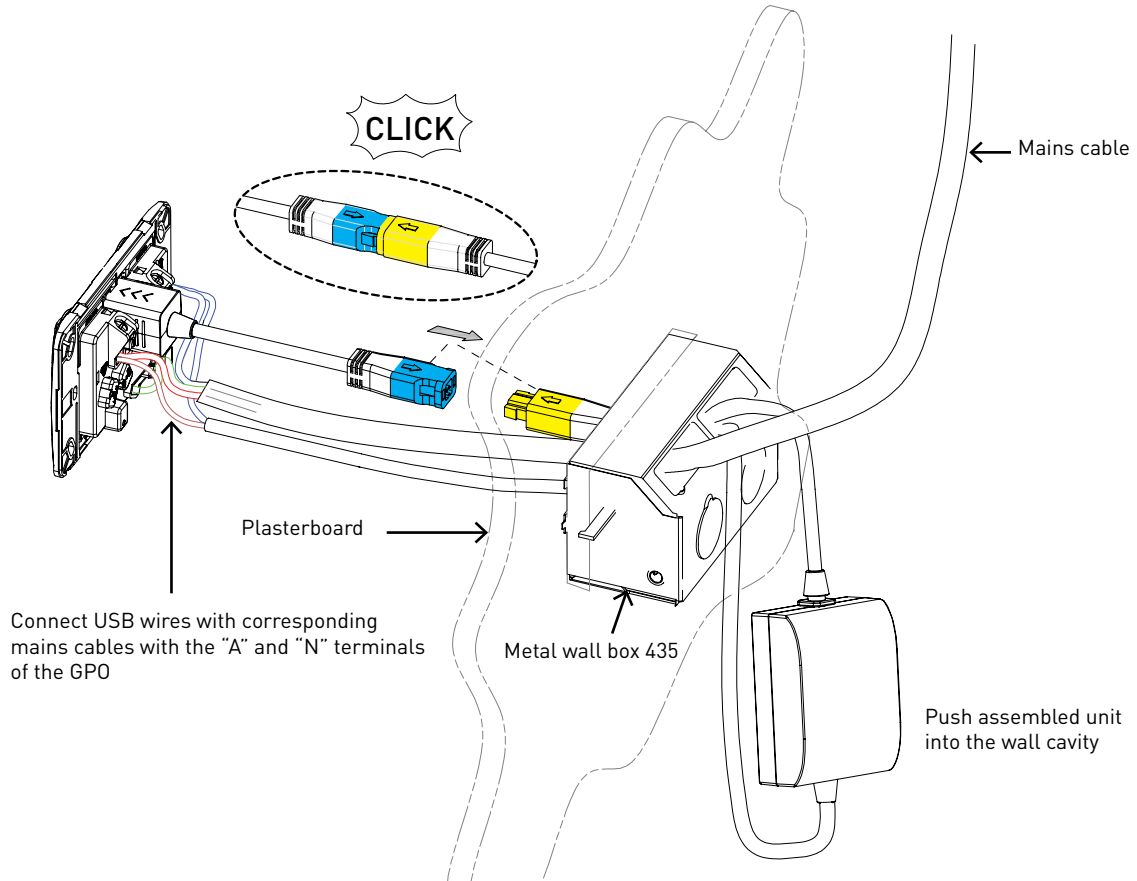


Push in assembled unit into the wall cavity

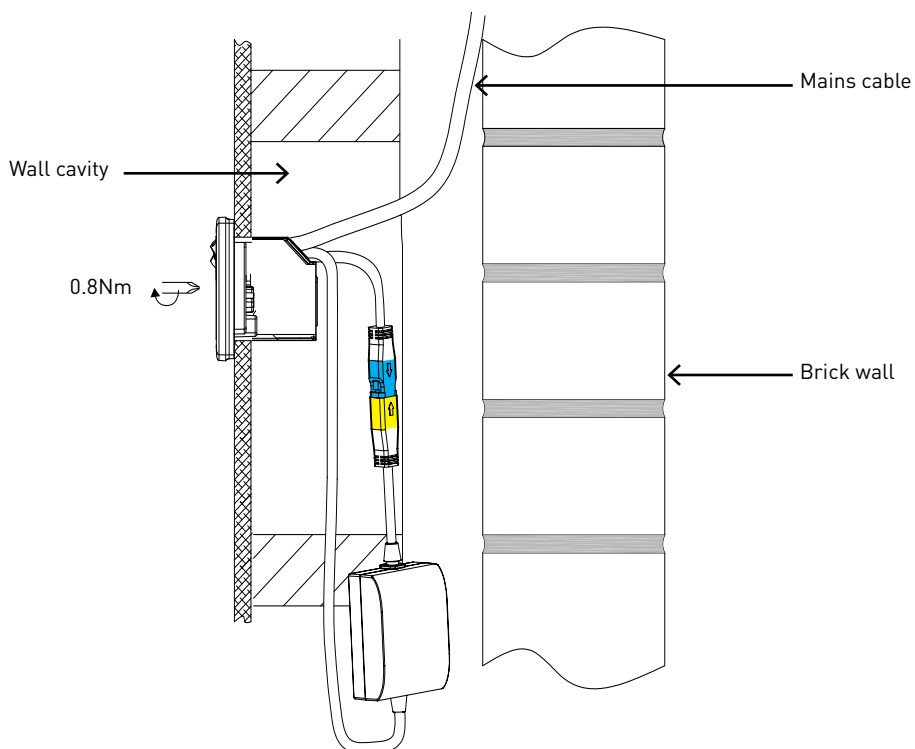
Screw the unit to wall with standard mounting accessories and then fix front plate

Installation with wall box for EMUSB2PSXWE/UG, AR770USB2PSXMWE/MG

1



2



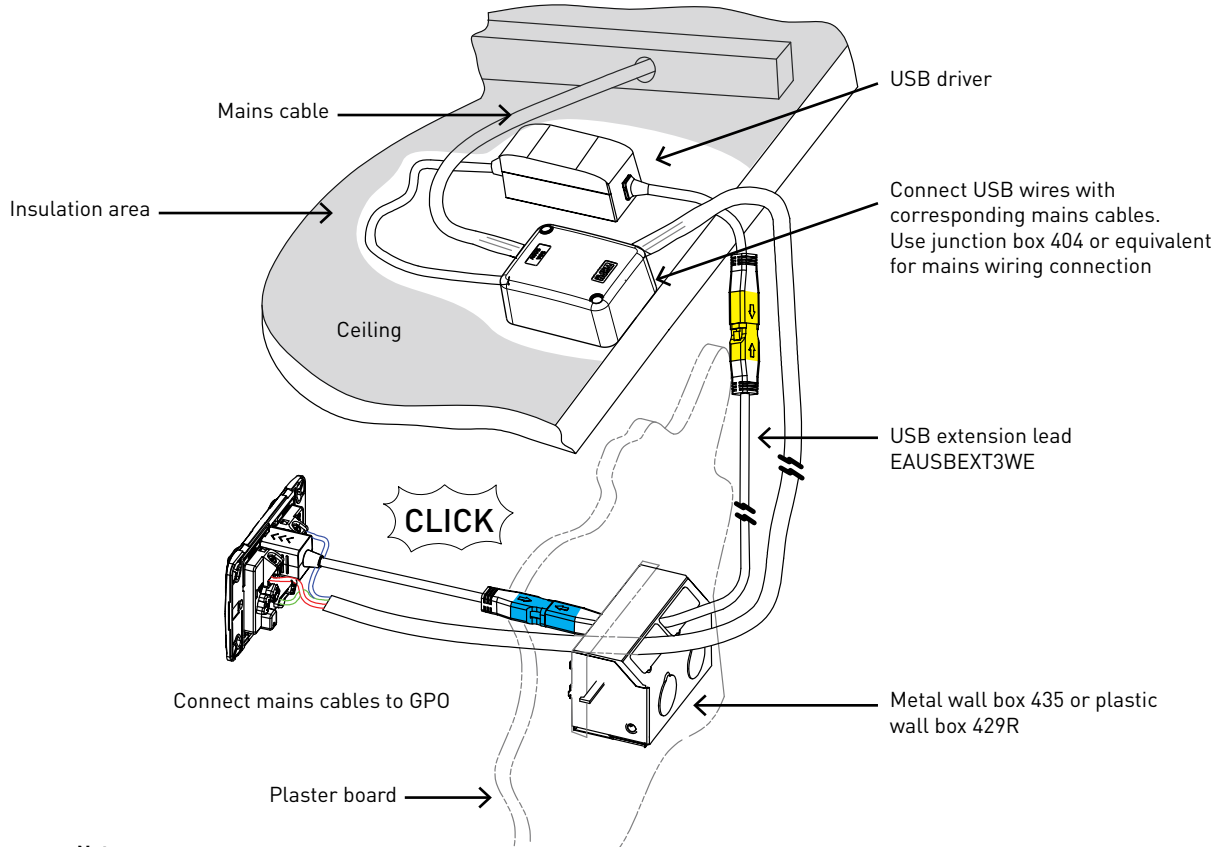
Excel Life and Arteor™
Dual Socket USB Charger

EMUSB2PSAWE, EMUSB2PSAUG, EMUSB2PSXWE, EMUSB2PSXUG,
AR770USB2PSAMWE, AR770USB2PSAMMG, AR770USB2PSXMWE, AR770USB2PSXMMG



Installation with wall box and 3m USB extension lead for EMUSB2PSXWE/UG, AR770USB2PSXMWE/MG

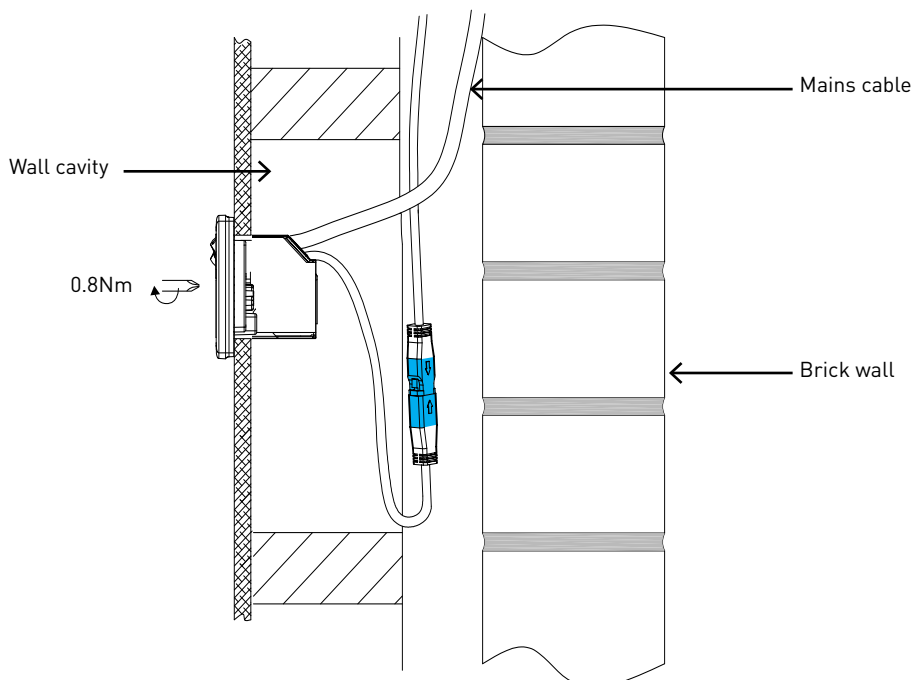
1



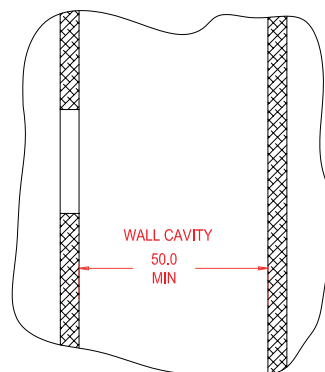
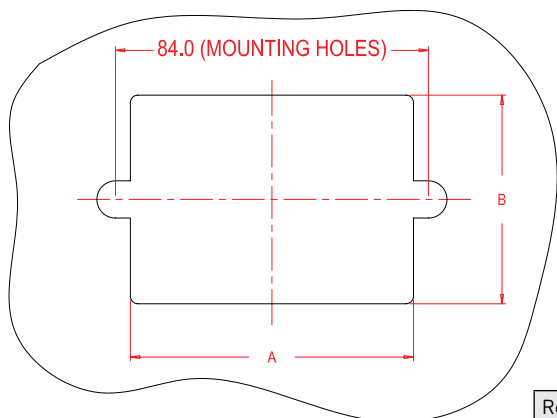
Note:

- In application requiring the 3m USB extension lead, it shall not share the same conduit as the 240Va.c. mains wiring in accordance with the Wiring Rules.
- The 3m extension lead is suitable for a standard Ø20mm conduit.
- Do not cover this USB driver with insulating matting or similar material under any circumstances.

2



Wall cut-out for standard installation only



Recommended Cut-Out Sizes to Fit Finished Products					
Used on	A		B		Min Wall Cavity (mm)
	MIN	MAX	MIN	MAX	
AR777X	96	100	60	66	50
ED777X	76	92	52	58	
EDV777X	76	92	54	58	

Disclaimers

- This product must be installed by a licensed electrician.
- For indoor use only.
- Some references are suitable for installation in wall boxes or single brick applications.
- This product should not be installed in areas exposed to constant vibration, temperature fluctuations, or areas of high humidity.
- This product contains no serviceable parts and no attempt should be made to repair this product. If the product is faulty it should be discarded.
- This product has been designed to operate in ambient temperatures 5°C to 40°C.
- The material in this product may vary in colour from batch to batch. Colour matching from one batch to another cannot be guaranteed.
- Electrical installations periodically receive transient over voltages. This product has been designed to minimise the effect of such voltages on connected equipment. It may not give full protection for extreme over voltage transients such as those resulting from a close lighting strike.
- This product has been designed to operate on a nominal supply voltage of 230 - 240V a.c +/- 6%.
- Cable wiring of different voltage systems, such as Low Voltage and SELV cables, shall not share the same conduit
- This product must be installed and used as per these instructions.
- This product utilises intellectual property in the form of registered designs, trademarks, and/or patents. Such intellectual property remains the property of HPM Legrand in all cases
- HPM Legrand reserves the right to modify the specification of this product at any time.

Warranty

HPM Legrand will honour all statutory guarantees that you as a consumer are entitled to rely upon under the Australian and New Zealand Consumer Laws against a manufacturer including a guarantee that this product is of acceptable quality.

To make a claim under any statutory guarantee you should first contact the supplier, or retailer from whom you purchased this product.

Customer Service

For all Customer Service and Technical Support enquiries please call Monday to Friday during business hours.

HPM Legrand Australia
1300 369 777
www.legrand.com.au

HPM Legrand New Zealand
0800 476 009
www.legrand.co.nz

ABN: 31 000 102 661